

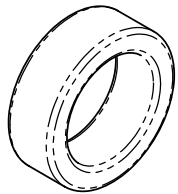
8 7 6 5 4 3 2 1

**NOTES:**

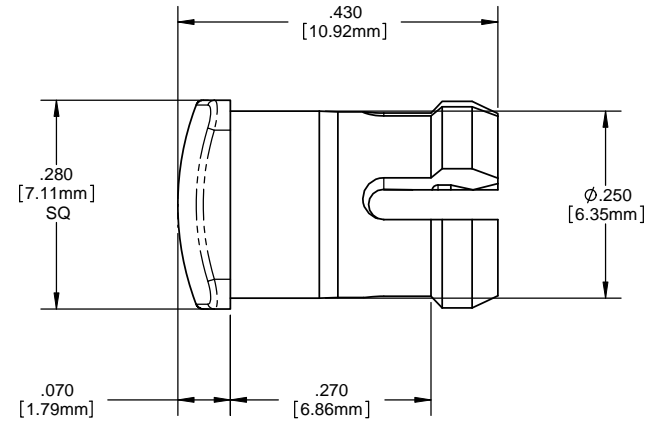
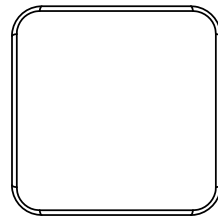
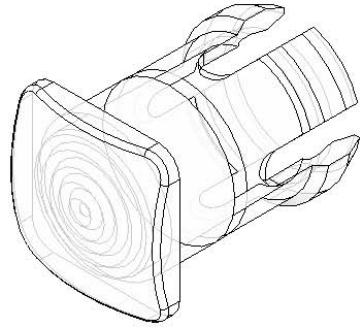
1. **MOUNTING:** Mounts in a  $\phi .250 \pm .002$  [ $\phi 6.35\text{mm} \pm .05$ ] panel hole on .375 [9.5mm] centers. Panel thickness .031 [.8 mm] to .250 [6.35mm]. Panel hole should be deburred, but not chamfered.
2. **ASSEMBLY:** Insert lens through panel hole, (for thin panels less than .188 [4.75mm] thick, slide SPC 125 spacer on back of lens), and insert LED into lens.
3. **MATERIAL:** Polycarbonate, UL 94-V2
4. **U.S. & Foreign Pat. Issued & Pend.**

REVISIONS				
ECN#	REV.	DESCRIPTION	DATE	INITIALS
	001	REVISED PER ECR111009AZ01	4-23-10	SMU

**RETAINERS  
(ORDER SEPARATELY)**



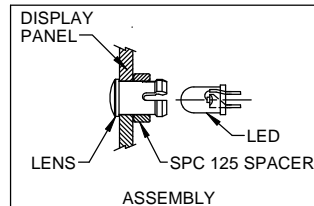
SPC 125



ORDERING CODE : **SOB 400 XXX**

MODEL

LENS COLOR	
RTP	RED TRANSPARENT
ATP	AMBER TRANSPARENT
GTP	GREEN TRANSPARENT
BTP	BLUE TRANSPARENT
YTP	YELLOW TRANSPARENT
CTP	CLEAR TRANSPARENT



<small>UNLESS OTHERWISE SPECIFIED DIMENSIONS ARE IN INCHES</small> ANGLES DECIMALS ±1° FINISH .X ±.020 .XX ±.010 .XXX ±.005 BREAK ALL CORNERS AND SHARP EDGES 90° MIN	<b>MATERIAL</b> POLYCARBONATE, UL 94-V2	<b>VISUAL COMMUNICATIONS COMPANY, INC.</b> 190 Bosstick Boulevard, Suite 101 San Marcos, CA 92069 USA Phone (760) 560-1300 Fax (760) 560-1301 email vccsales@vccite.com										
	<b>FINISH</b> SEE NOTES	<b>TITLE: 5MM SQUARE LOW PROFILE FRESNEL LENS</b>										
 <small>THIRD ANGLE PROJECTION</small>	<table border="1"> <tr> <th>APPROVAL</th> <th>DATE</th> </tr> <tr> <td>SMU</td> <td>4-23-10</td> </tr> </table>	APPROVAL	DATE	SMU	4-23-10	<table border="1"> <tr> <td>SIZE</td> <td>DWG. NO.</td> <td>REV</td> </tr> <tr> <td><b>B</b></td> <td><b>SOB 400 XXX</b></td> <td><b>001</b></td> </tr> </table>	SIZE	DWG. NO.	REV	<b>B</b>	<b>SOB 400 XXX</b>	<b>001</b>
APPROVAL	DATE											
SMU	4-23-10											
SIZE	DWG. NO.	REV										
<b>B</b>	<b>SOB 400 XXX</b>	<b>001</b>										
<small>PROPRIETARY AND CONFIDENTIAL. THE INFORMATION CONTAINED IN THIS DRAWING IS THE SOLE PROPERTY OF VISUAL COMMUNICATIONS COMPANY, INC. AND REPRODUCTION IN PART OR AS A WHOLE WITHOUT THE WRITTEN PERMISSION OF VISUAL COMMUNICATIONS COMPANY, INC. IS PROHIBITED.</small>	<table border="1"> <tr> <th>CHECKED:</th> <th>DATE</th> </tr> <tr> <td>DZ</td> <td>4-23-10</td> </tr> </table>	CHECKED:	DATE	DZ	4-23-10	<table border="1"> <tr> <td>SCALE: 1:1</td> <td>SHEET 1 OF 1</td> </tr> </table>	SCALE: 1:1	SHEET 1 OF 1				
CHECKED:	DATE											
DZ	4-23-10											
SCALE: 1:1	SHEET 1 OF 1											
<small>DO NOT SCALE DRAWING</small>												

8 7 6 5 4 3 2 1